

## Bicolor level gauge type BU green-red

glass-mica pressure relieved, lateral connection,  
expansion loop

### Application and function

The bicolor level gauge is a direct water level gauge which can be used for steam generators.

In the sight opening, the water space is indicated in green and the steam space in red. The product corresponds to the PED directive 97/23/EEC art. 3 par. 3 SEP (Sound Engineering Practice).

Applied rules are TRD/AD2000 or ASME-Boilers.

### Technical basic equipment

- Body material carbon steel according to ASME
- As left sided (mapped) or right sided model
- Sight length see table
- With drain valve and ventilation plug
- Illumination device LED Duo SOL6/8, IP67
- Shutoff valves type A220 and A240
- Drain valve type AV500, AV 520

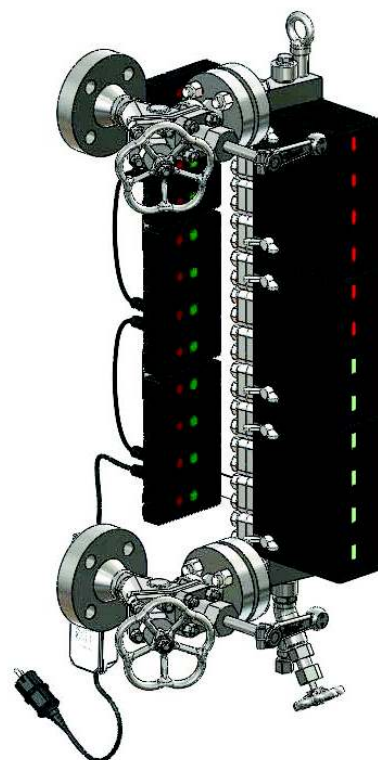
### Available (optional) versions

- Other drain valve

### Technical data

Allowable pressure	PS [bar]	32	50	80	100	160	200
Allowable temperature	TS [° C]	239	265	296	312	348	367
Shutoff valve	Type	A220			A240		
	Datasheet	D-09-D-16356-0			D-09-D-16357-0		
Drain valve	Type	AV500	AV520				
	Data sheet	D-09-D-16358-0					

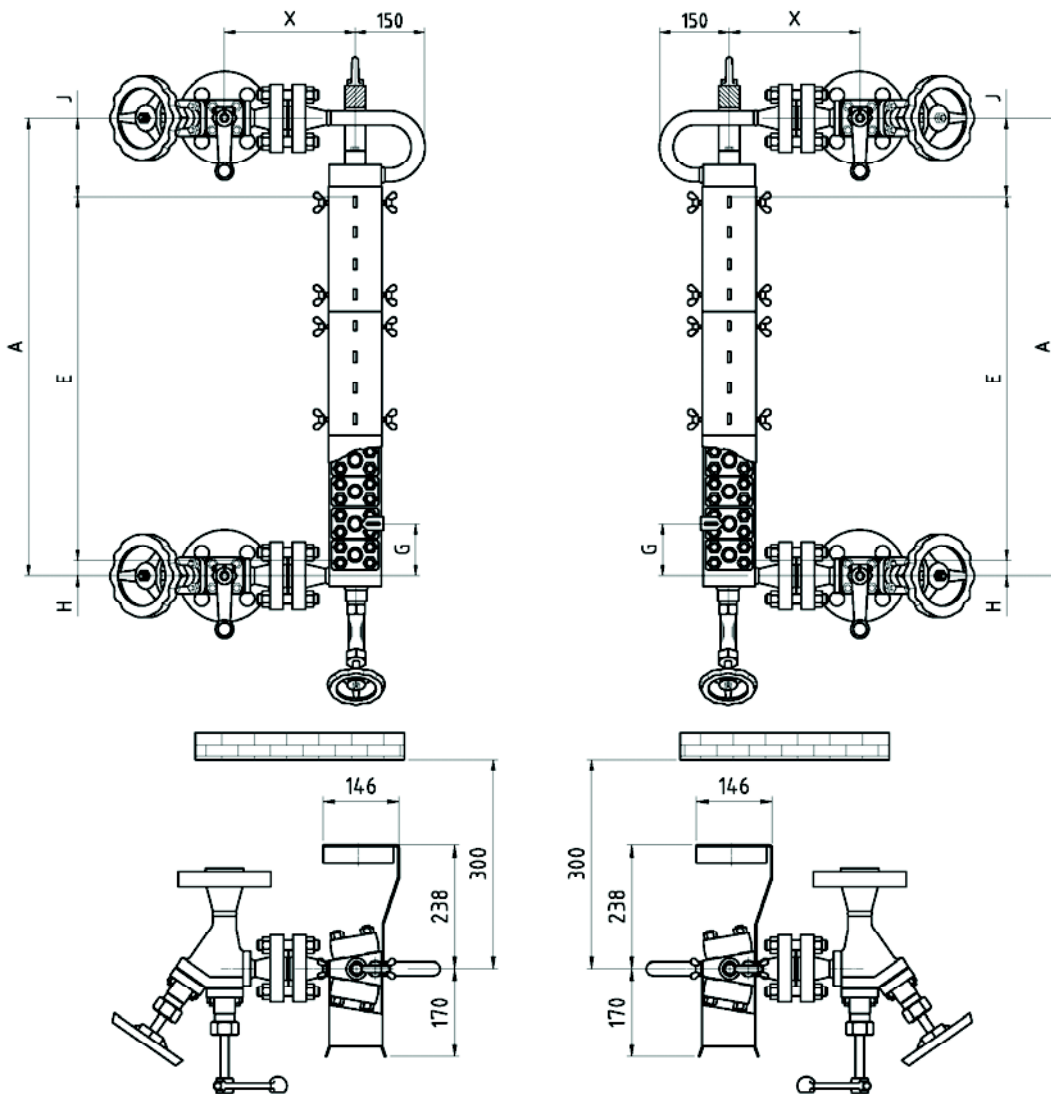
Illumination	Protection	IP67
	Data sheet	D-A1-D-16386-0



Dimensions and tables

Left sided model

Right sided model

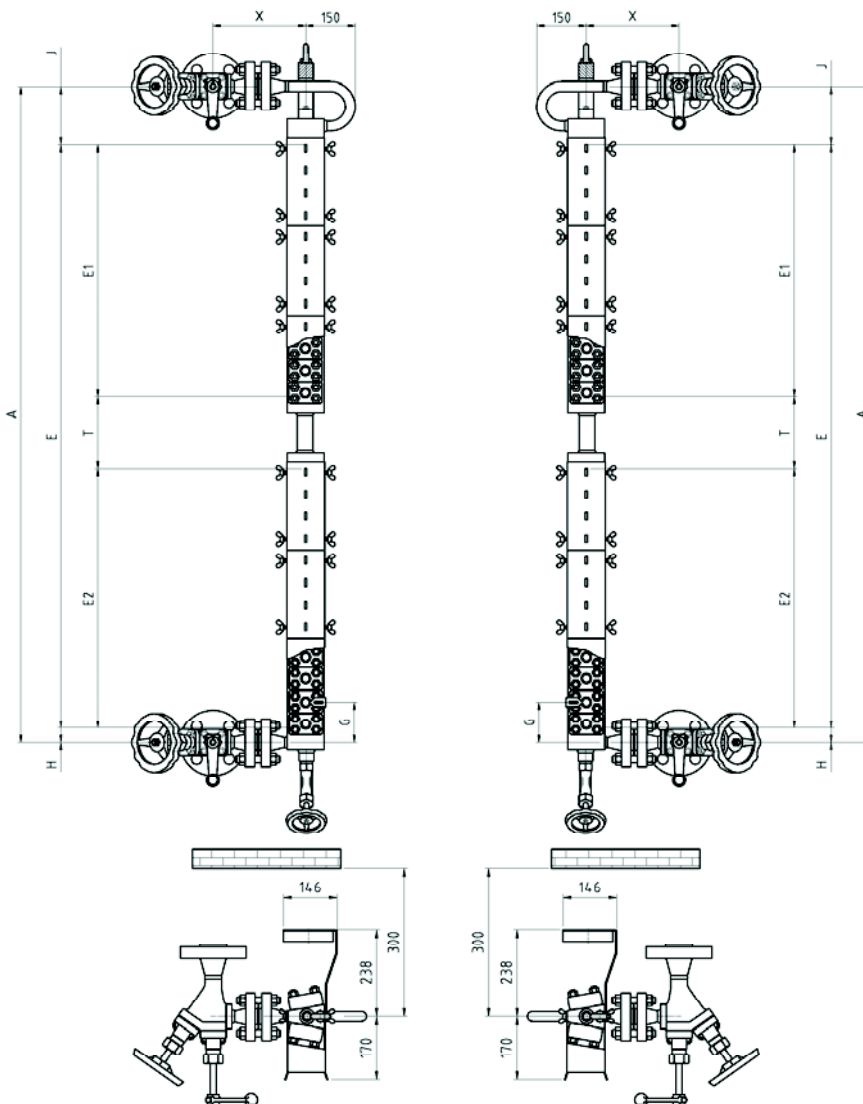


Dimensions and tables

Divided version

Left sided model

Right sided model



If sight length  $E > 800$  mm one porthole is left out and a dead space (T) of 100 mm arises.  
The position of the dead space depends on the order



## Dimensions and tables

Size			5	6	7	8	9	10	11	12	13	14
Sight length	E		260	320	380	440	500	560	620	680	720	800
Dimension	Maß H/J <sub>min</sub>	[mm]	40									
	Maß H/J <sub>max</sub>	[mm]	On request									

Calculation of sight length:  $E = (n-1) \times 60 + 20$



## Information:

Depending on the size and version of the level gauge the customer has to arrange a sufficient brace support (eg. spring suspension etc.).

Allowable pressure PS [bar]	Valve	Flange	L [mm]	Welding end	L [mm]	X [mm]
32	A220	DN20	170	DN20		240
50	A150	DN25	129	DN25		240
80	A150	DN 25	129	DN25		260
80	A220	DN25	160	DN25	160	260
100	A240	DN25	145	DN25	150	270
160	A240	DN25	155	DN25	150	330
200	A240	DN25	170	DN25	150	330

